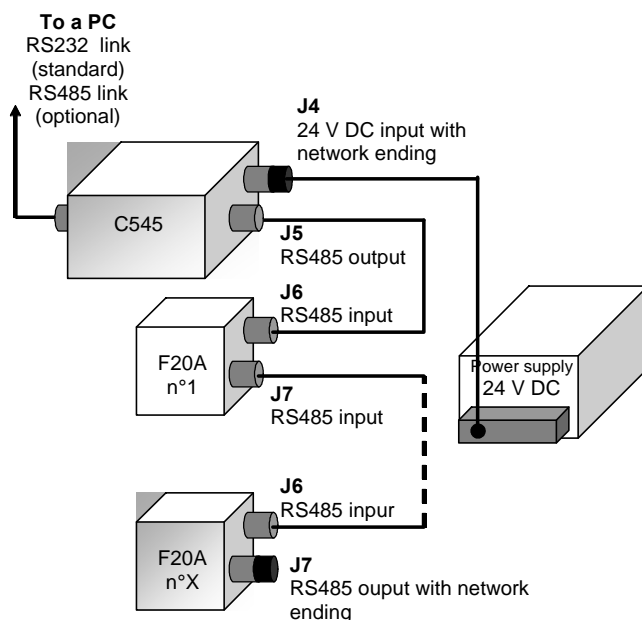


C545

Management station for measurement modules



- ✓ **MULTIPLE MEASUREMENT MODULES AND TESTS CONTROL**
- ✓ **ULTRA COMPACT**
- ✓ **AUTONOMOUS OPERATION**



5 SERIES



Main features

- Management of 9 measurement modules and 3 input/output modules.
- PC link via RS485 or RS232.
- Network based power supply
- Management of the C545 through a PC with WINATEQ software (editing parameters, visualisation of results, curves...)
- System can operate independently of a PC.

ACCESSORIES

- Power supply 24 V
4 A or 10 A
- Network cable 1 to 10 m
- Diversion unit PS5 for 4 modules
- External Input/output module