

D520

Compact continuous Laminar flow meter



- ✓ NEW COMPACT FORMAT
- ✓ OPTIMISED MEASUREMENT
- ✓ HIGH SPECIFICATIONS - COMPETITIVELY PRICED
- ✓ EASY SET-UP

5 SERIES

Without any doubt the smallest high-performance continuous laminar flow meter on the market.

Specially adapted for automatic or semi-automatic test machines, the **D520** has a full range of specifications at a very competitive price.

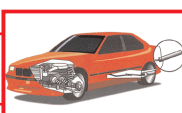


Main Features

- Flow measurement in direct or indirect testing
- Wide flow measurement range
- USA, S.I. and customer units
- Measurement in standard or customized conditions
- Recalculated flow at the nominal pressure
- Measurement element fully integrated into one module
- 16 programs
- **Serial links:**
 - RS232: printer, P.C. and parameter storage module
 - RS232: intelligent remote control RC5
 - RS485: ATEQ network
- **And:**
 - Time and date display, choice of languages and units, customisation of tests for your requirements...



Applications



Flow control: cookers, ovens, valve, gas taps, gas burners, lighters

Leak detection: valve seats, gear boxes, hydraulic components, motors...

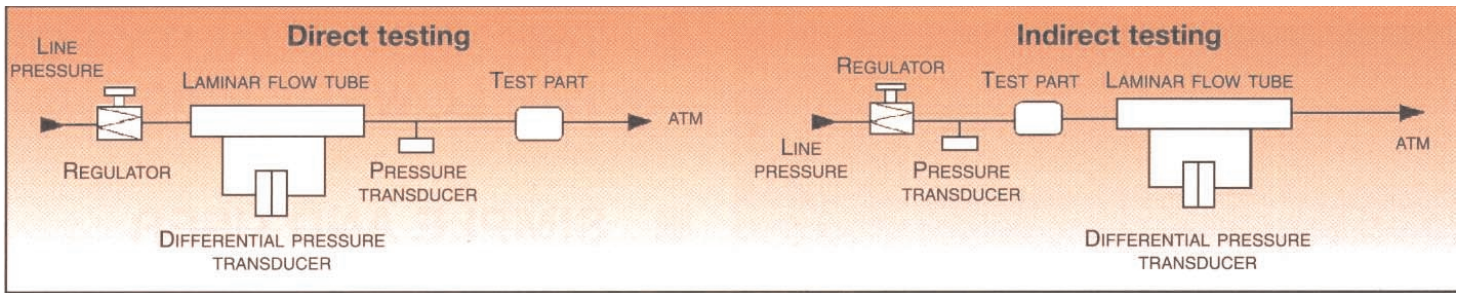
Control of aerosols, injectors...

Options

- 7 inputs / 5 outputs
- 2 pneumatic outputs for control of sealing connectors
- 6 x 24 V programmable outputs for external connection
- 2 analogue outputs: current or voltage



Principle of measurement

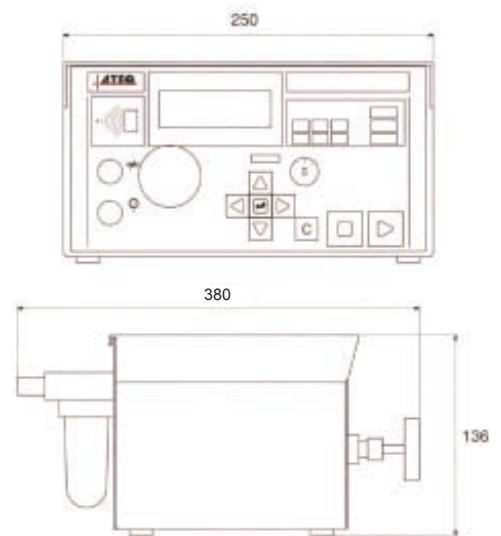


Measurement ranges

| FLOW MEASUREMENT | | |
|---|--|--------------------|
| RANGE | ACCURACY | MAXIMUM RESOLUTION |
| 5, 30, 150, 500, 1 500, 4 000, 10 000 l/h | 3 % Flow + 2 digits <i>with the pressure of instruction</i> | > 1% of full scale |

| PRESSURE MEASUREMENT | | |
|----------------------|-----------------|--------------------|
| RANGE | ACCURACY | MAXIMUM RESOLUTION |
| All ranges | 1% P + 2 digits | 0,1% of full scale |

| MECHANICAL PRESSURE REGULATION |
|--|
| 0,8 - 6 kPa / 0,55 - 14 kPa / 6 - 100 kPa / 5 - 210 kPa / 10 - 350 kPa |



Technical specifications

- **Physical**
Weight: approximately 7 kg
- **Interface**
Navigation keys
4-line LCD display
Results indicator lights
- **External electrical supply**
Voltage: 24 V DC / 2 A
Main adaptater included (110 - 240 V AC)
- **Air supply**
Clean and dry air required
Air quality standard to be applied (ISO 8573-1)
- **Temperature**
Operating : + 10°C to + 45°C
Storage : 0°C to + 60°C

Accessories

- Start/Reset remote control
- Intelligent remote control RC5
- Printer
- Parameter storage modules
- ATEQ software (WINATEQ - S5 DEMO)
- Needle valve
- Master jet
- Filtration kit
- Vaccum pump
- Sealing connectors

Please refer to ATEQ accessories list



Headquarter:
15, rue des Dames - ZI des Dames - 78340 Les Clayes-Sous-Bois - France
© : + 33 (0)1 30 80 10 20 - Fax : + 33 (0)1 30 54 11 00 - e-mail : info@ateq.com
www.ateq.com