

MF520

Differential Micro Flow tester



- COMPACT FORMAT
- OPTIMISED MEASUREMENT
- HIGH SPECIFICATIONS
COMPETITIVELY PRICED
- EASY SET-UP

5 SERIES

ATEQ inovates in the measurement industry with this new instrument: the **MF520**

It associates speed with accuracy of leakage measurement through differential pressure drop measurement and flow measurement stability.



Applications



Leak detection and flow control: valve seats, gear boxes, hydraulic components, motors...

Control of aerosols, injectors...



Main Features

- Measurement range: 2 / 20 / 200 ml/min.
- Measurement units: SI, USA (SAE) and custom unit.
- Indications of the ambient temperature and atmospheric pressure.
- Measurement element fully integrated into one module
- 16 programs
- **Serial data link:**
 - RS232: printer, P.C. and memory modules
 - RS232: intelligent RC5 remote control
 - RS485: ATEQ network
- and:
 - Time & date, language and units choice, test customisation, ...

Options

- 7 inputs / 5 outputs
- 2 pneumatic outputs for control of sealing connectors
- 6 x 24 V programmable outputs for external connection
- Electronic regulator
- Dual pressure
- High speed valve
- 2 analogic outputs: current or voltage
- Fieldbus



Measurement Ranges

FLOW MEASUREMENT

| RANGE | ACCURACY | MAXIMUM RESOLUTION |
|------------|-----------------------------------|--------------------|
| 2 ml/min | ± .25 % of Flow + 0.002 ml/min | 0.001 ml/min |
| 20 ml/min | ± 2.5 % of flow + 0,02 ml/min | 0.01 ml/min |
| 200 ml/min | ± 2.5 % of flow + 0.2 ml/min | 0.1 ml/min |

PRESSURE MEASUREMENT

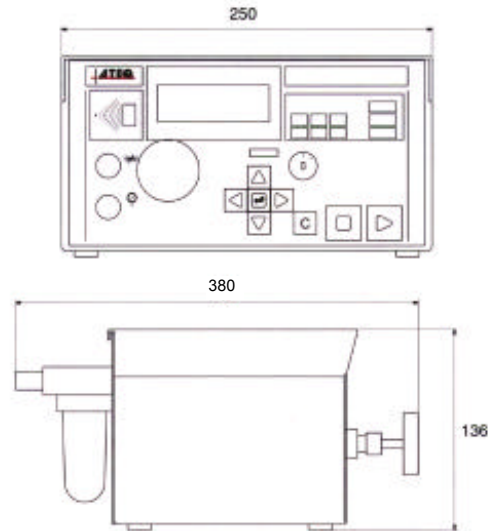
| GAMME | ACCURACY | MAXIMUM RESOLUTION |
|------------|--------------|--------------------|
| All ranges | P + 2 digits | 0.1% of full scale |

MECHANICAL PRESSURE REGULATION

vacuum / 5-50 kPa / 20-400 kPa / 500-900 kPa /
500-1600 kPa

ELECTRONICAL PRESSURE REGULATION

vacuum / 1-10 kPa / 5-50 kPa / 20-200 kPa / 50-500
kPa / 100-1000 kPa / 100-1600 kPa / 100-2000 kPa



Technical Specifications

- **Physical**
Weight : approximately 7 kg
- **Interface**
Navigation keys
4-line LCD display
Results indicator lights
- **External electrical supply**
Voltage: 24 V DC / 1.6 A
Main adaptater included 110 - 240 V AC
- **Air supply**
Clean and dry air required
Air qulaity standard to be applied (ISO 8573-1)
- **Temperature**
Operating : + 10°C to + 45°C
Storage : 0°C to + 60°C

Accessories

Start/Reset remote control
RC5 intelligente remote control
Printer
Parameter and results storage
modules
ATEQ software
(WINATEQ, S5 demo)
Needle valve
Calibrated leak
Filtration kit
Vacuum pump
Sealing connectors
*Please refer to ATEQ
accessories list*



Head office:

15, rue des Dames - ZI des Dames - 78340 Les Clayes-Sous-Bois - France
☎ : + 33 (0)1 30 80 10 20 - Fax : + 33 (0)1 30 54 11 00 - e-mail : info@ateq.com
www.ateq.com